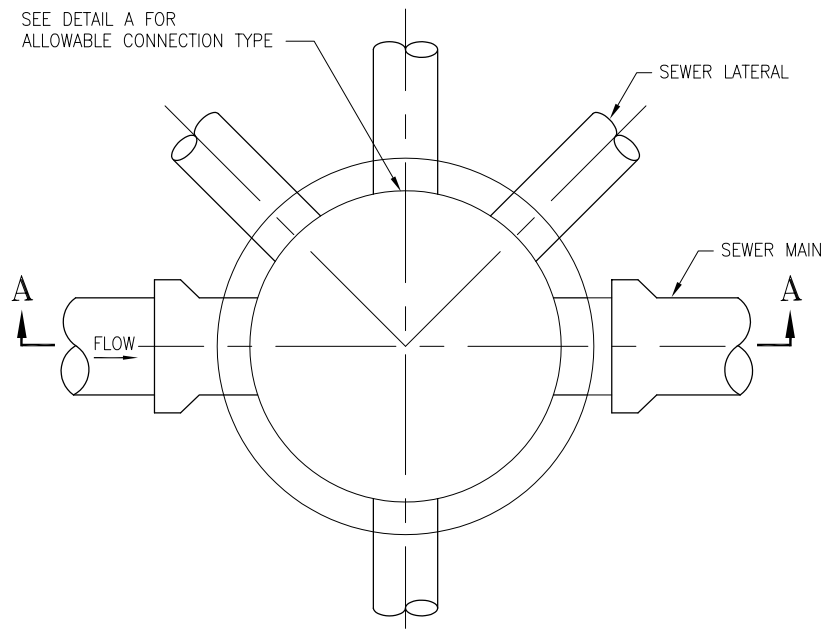
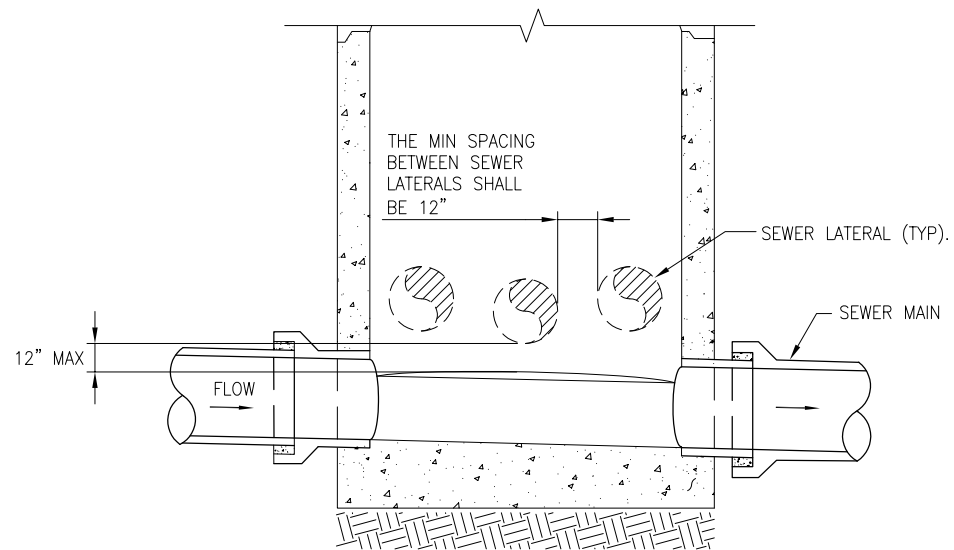


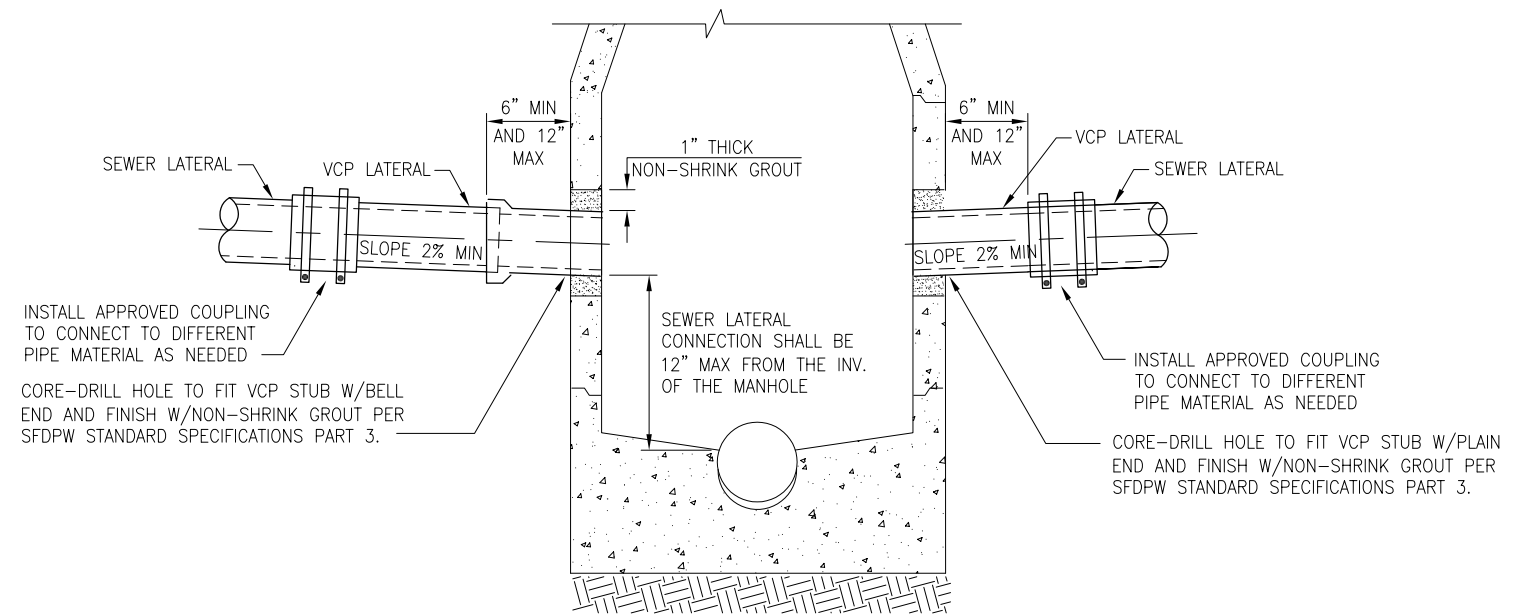
\\woodwardclark.com\net\share\Projects\RM\CSF0082-SFPUC\WW\CS-955818-Task Order\TO 10 - Sewer Laterals Program Phase 1B- Project Work\Task- Revised Standards and Details Completion\Final Submittal\CAD\RevisedSewer Config Figures.dwg



**PLAN**  
NOT TO SCALE



**SECTION-A**  
NOT TO SCALE



NOTE: THIS DETAIL REPRESENTS TWO ALLOWABLE MANHOLE CONNECTIONS.

**DETAIL-A**  
NOT TO SCALE

APPLICABLE TO BOTH  
COMBINED AND SANITARY  
SEWER SYSTEMS

- NOTES:**
1. SEWER LATERAL CONNECTIONS SHALL BE FLUSH WITH INSIDE FACE OF MANHOLE WALL.
  2. SEWER LATERAL CONNECTIONS SHALL BE MINIMUM 8" FROM PRECAST MANHOLE BARREL SECTION JOINTS.
  3. MORE THAN THREE LATERAL CONNECTIONS INTO A MANHOLE WILL REQUIRE REVIEW AND APPROVAL BY SFPUC.



**SEWER LATERAL  
STANDARD DETAILS**  
SAN FRANCISCO PUBLIC UTILITIES COMMISSION

DATE MAY 2017	REVISION 1.0	REVISED
------------------	-----------------	---------

**SEWER LATERAL CONNECTION TO MANHOLE**