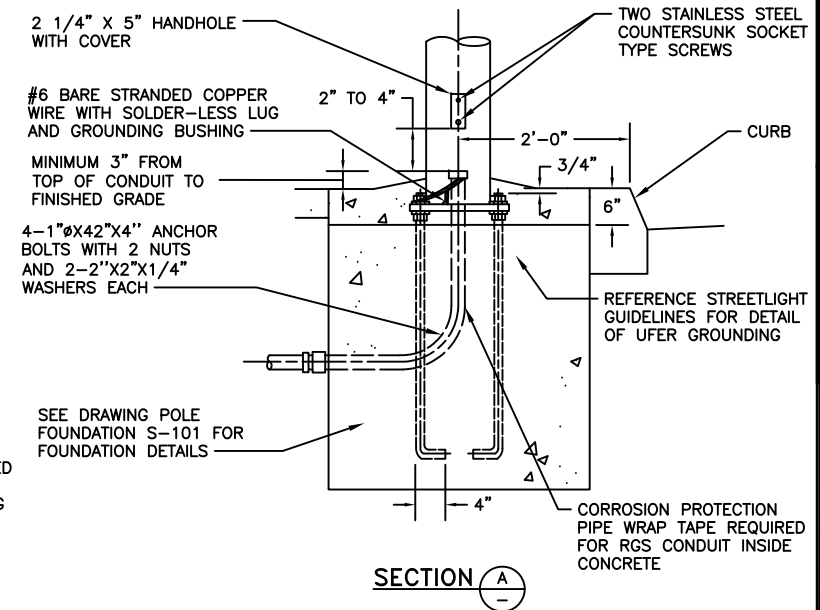
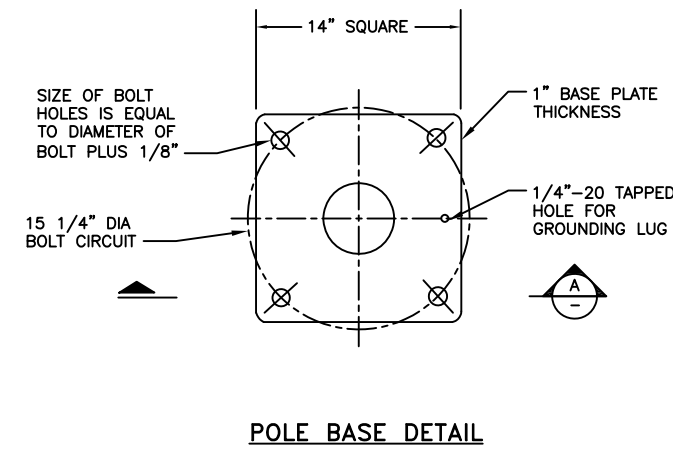
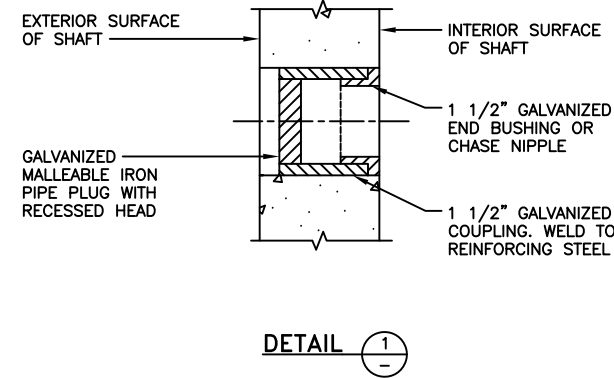
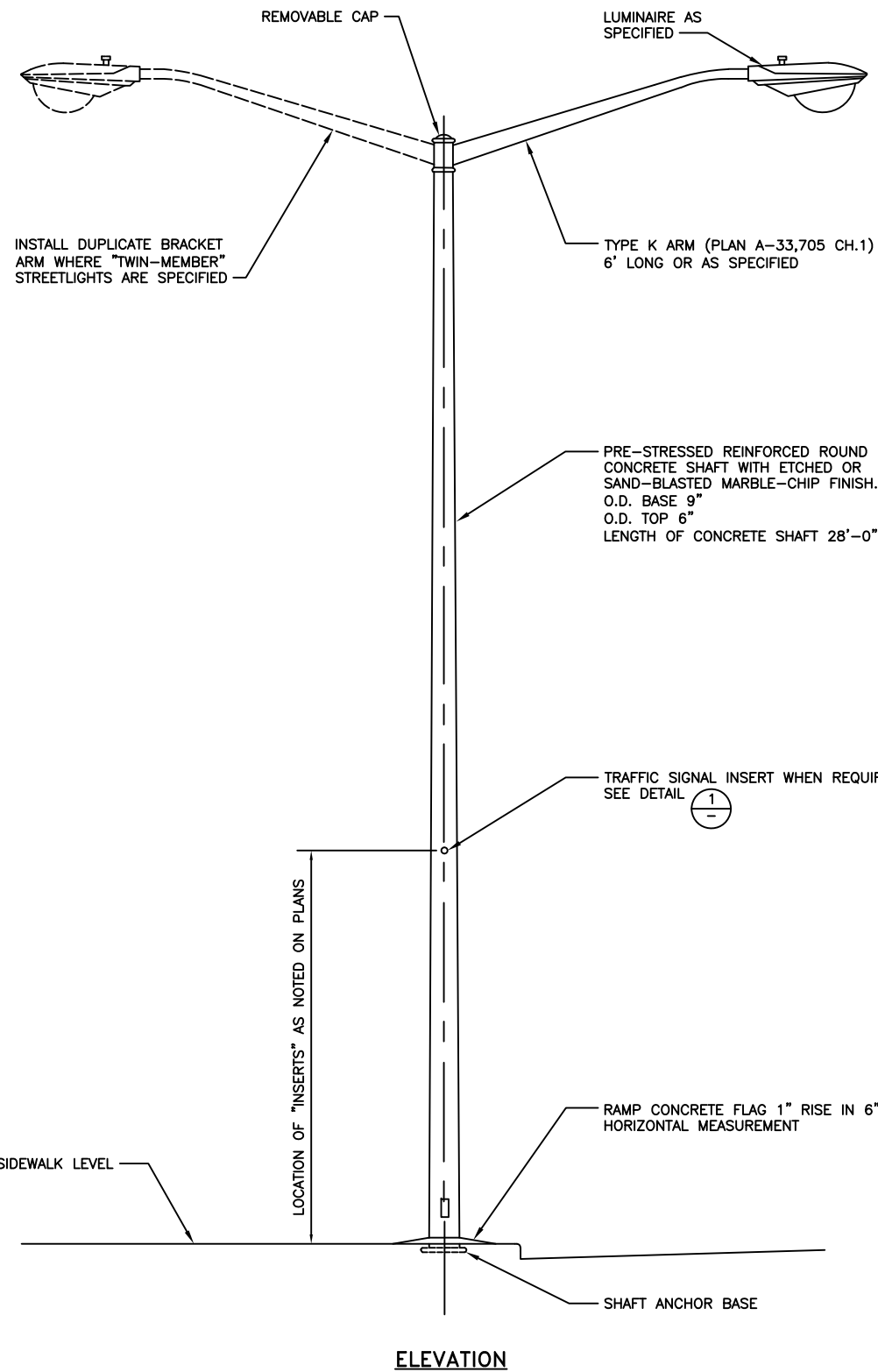


**STANDARD PLANS
ELECTRICAL**
STREETLIGHT ON HEAVY
CONCRETE STANDARD
INSTALLATION DETAILS

SHEET NOTES:

- HANDHOLE COVER SHALL BE CURVED TO CONFORM TO SHAFT.
- POLE-TOP BRACKET, ARM, POLE TOP, HANDHOLE COVER, AND ANCHOR BOLTS WITH NUTS AND WASHERS SHALL BE STEEL. HOT-DIP GALVANIZED AFTER FABRICATION.
- ALL SCREWS, NUTS, WASHERS AND FASTENINGS SHALL BE STAINLESS STEEL. LOCKWASHERS SHALL BE OF THE SHAKEPROOF TYPE WITH INTERNAL TEETH.
- THREADED RODS SHALL BE COATED WITH GRAPHITE GREASE BEFORE AND AFTER ASSEMBLY AND INSTALLATION OF POLE TOP BRACKET AND CAP.
- LOCATION AND ORIENTATION OF LUMINAIRE, IDENTIFICATION NUMBER, AND CONDUITS SHALL BE AS SHOWN ON CONTRACT PLANS.
- BRACKET ARMS SHALL BE ORIENTED PERPENDICULAR TO CENTERLINE OF ROADWAYS.



THIS STANDARD PLAN WAS DEVELOPED FOR USE ON PUBLIC UTILITIES COMMISSION PROJECTS IN THE CITY AND COUNTY OF SAN FRANCISCO, AND SHALL NOT BE USED WITHOUT CONSULTING A REGISTERED PROFESSIONAL ENGINEER. SFPUC/POWER RESERVES THE RIGHT TO MAKE REVISIONS TO THIS STANDARD PLAN AT ANYTIME.

TABLE OF REVISIONS
THIS DRAWING WAS LAST TOUCHED ON 20230629 - 8:19AM

REV	DATE	DESCRIPTION	BY	APP

SFPUC - POWER ENTERPRISE ENGINEERING: STREETLIGHTS

CITY AND COUNTY OF SAN FRANCISCO

CONSULTANTS: OTHER AGENCIES

DATE:	7/11/2023
DESIGNED:	CCSF
DRAWN:	DG
CHECKED:	RH
PROJ ENGR:	-
SCALE:	NOT TO SCALE

SHEET NAME
PE2656.08

REVISION NUMBER
1.0